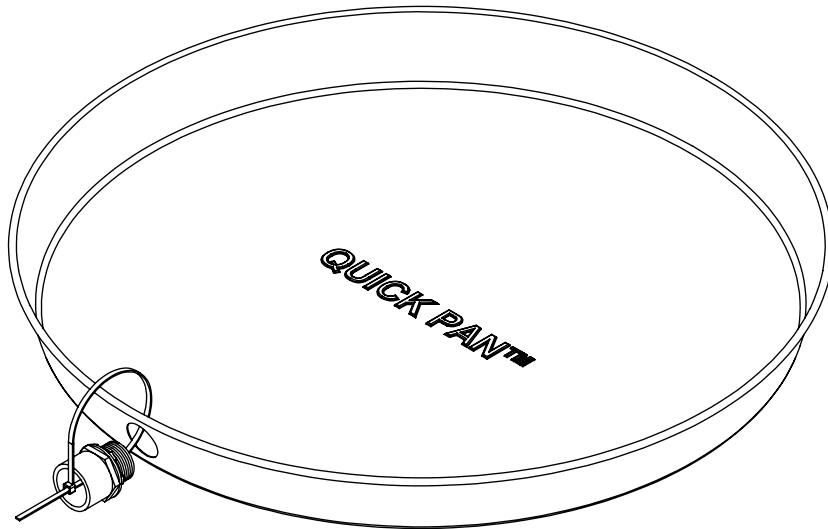


PRODUCT SPECIFICATION DRAWING

HOLDRITE® QUICK PAN™ Series



The **HOLDRITE® QUICK PAN™** provides a quick simple solution when a drain pan is required under a water heater. These pans are suitable for both electric and gas water heaters. Available in five sizes (20" - 28"). Model #QP-20 (20"), #QP-22 (22"), #QP-24 (24"), #QP-26 (26") and #QP-28 (28"). Pan depth is 2-1/2".

Product Information:

- Material:
 - Pan: Aluminum Alloy or Cold Rolled Steel (CRS), .032 thick
 - Drain Body: PVC, 1" MIPT x 1" FS
 - Lock Nut: Steel, zinc plated
 - Flange Gasket: Neoprene, 50 ±.05 Shore A

THIS INFORMATION IS PROPRIETARY TO HOLDRITE AND IS SUBJECT TO CHANGE WITHOUT NOTICE. IT MAY NOT BE REPRODUCED IN PART OR WHOLE WITHOUT WRITTEN AUTHORIZATION.

HOLDRITE®

CONVERTING MAKESHIFT METHODS INTO ENGINEERED SOLUTIONSSM

800-321-0316 OR 760-744-6944 / FAX: 760-744-0507 / WWW.HOLDRITE.COM
spec_QuickPan_RevC

Product Submittal	
Job Name:	
Date:	
Part Number:	Qty:
Architect / Owner:	
Contractor:	
Notes:	